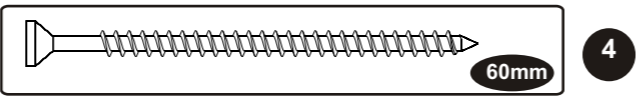
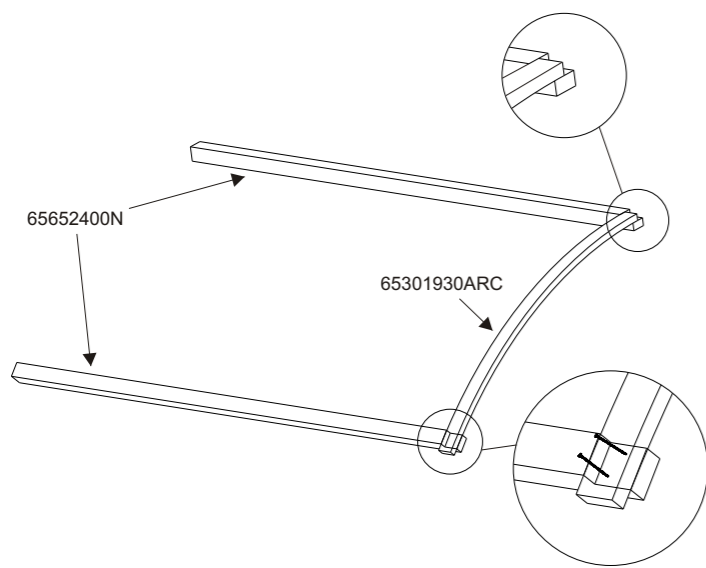


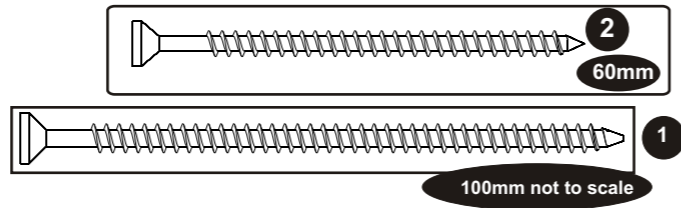
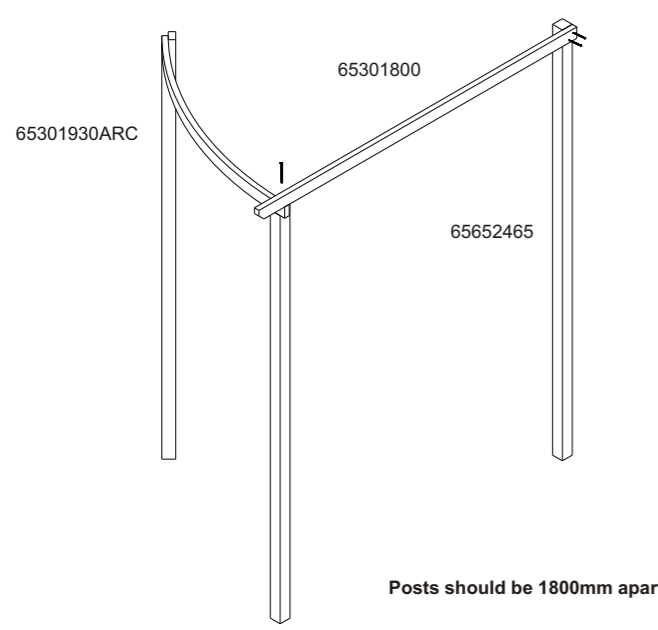
1



At ground level lay the **65301930ARC** (Arc Rafter) curved side up and secure to a **65652400N** (Notched Upright) leaving a 30mm overhang and secure with 2x60mm screws.

Place another **65652400N** (Notched Upright) at the other end of the **65301930ARC** (Arc Rafter) so that is centred on the notch. Secure with 2x60mm screws.

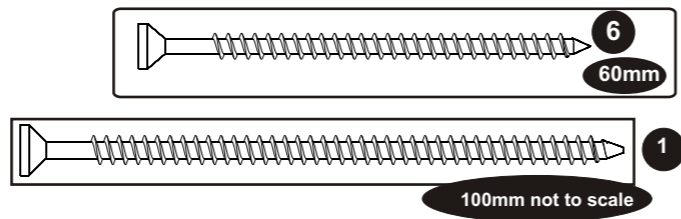
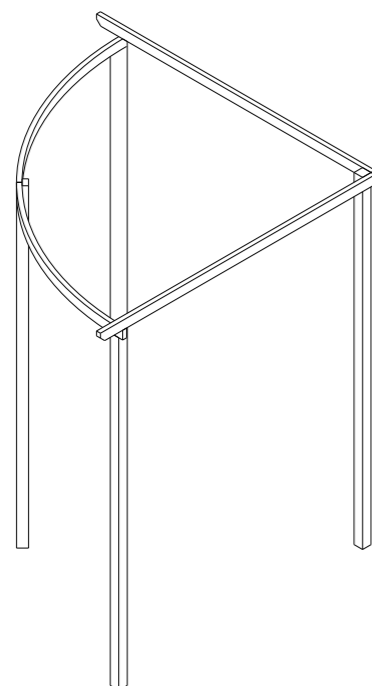
2



Secure the **65652465** (Un-notched Upright) into the desired position to form the corner of the Pergola. Secure a **65301800** (Short Rafter) flush to the top edge of the **65652465** (Un-notched Upright) as shown, using 2x60mm screws

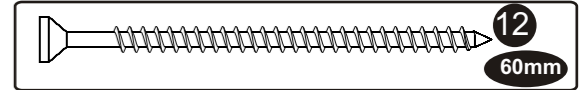
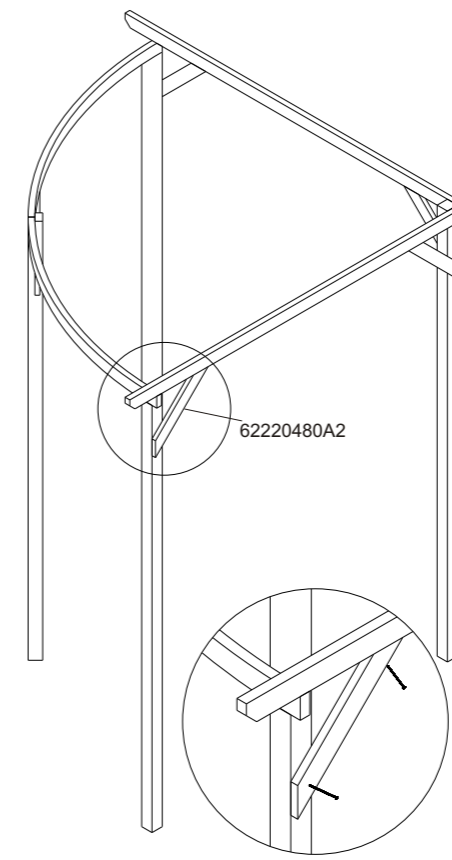
Place the other end of **65301800** (Short Rafter) on top of the **65301930ARC** (Arc Rafter) and secure in place by screwing down through the **65301800** (Short Rafter) into the **65301930ARC** (Arc Rafter) with 1x100mm screw

3



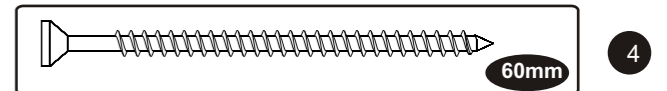
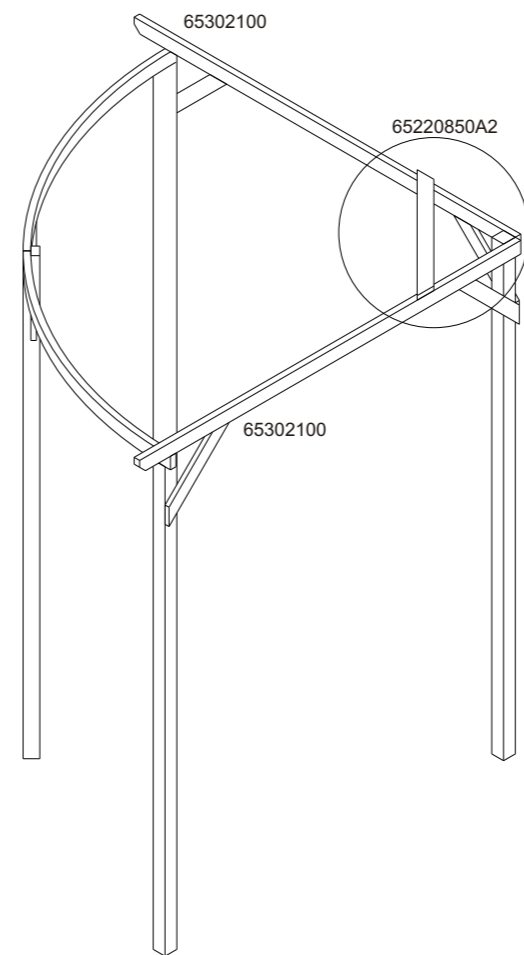
Repeat the same procedures as shown above making sure there is a 30mm overhang on the opposite side.

4



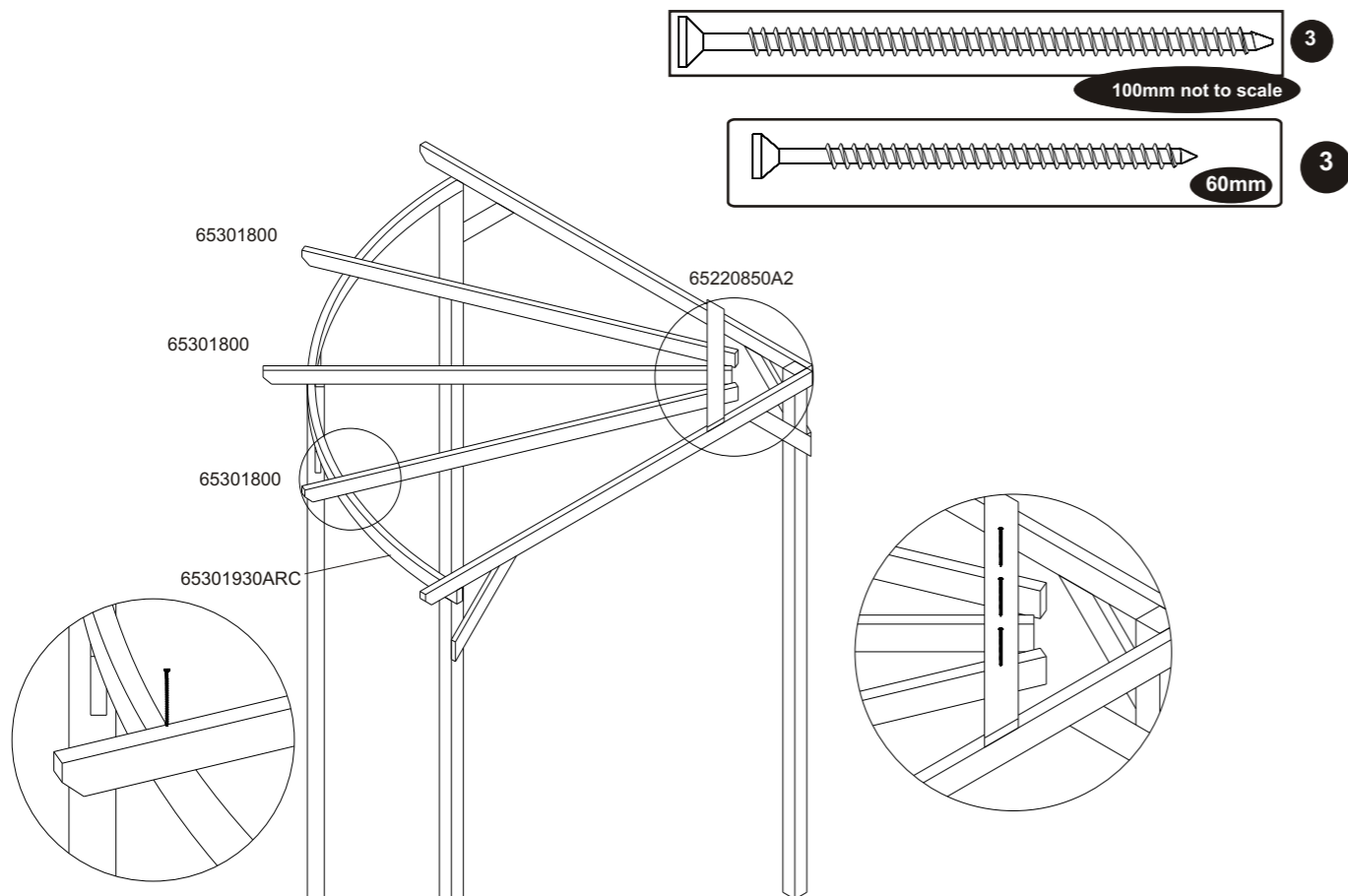
Attach the **62220480A2** (Short Braces) to the Pergola as shown in the image using 2x60mm screws for each brace.

5



Secure the **65220850A2** (Long Brace) on top, and across both **65302100** (Long Rafters) so that the angled sides are flush as shown. Secure using 2x60mm screws for each end.

6



Place the **65301800** (Short Rafters) with the shaped end sitting on the **65301930ARC** (Arc Rafter). Make sure the middle rafter is centred above the middle **65652400N** (Notched Upright) and secure using 1x100mm screw through **65301800** (Short Rafter) into the **65301930ARC** (Arc Rafter). Secure the other end through the **65220850A2** (Long Brace) into the **65301800** (Short Rafter).

Repeat the procedure for the remaining two **65301800** (Short Rafters) making sure that they are equally spaced.

Forest Garden plc.  
Units 291 & 296 Hartlebury Trading Estate  
Hartlebury  
Worcestershire  
Dy10 4JB

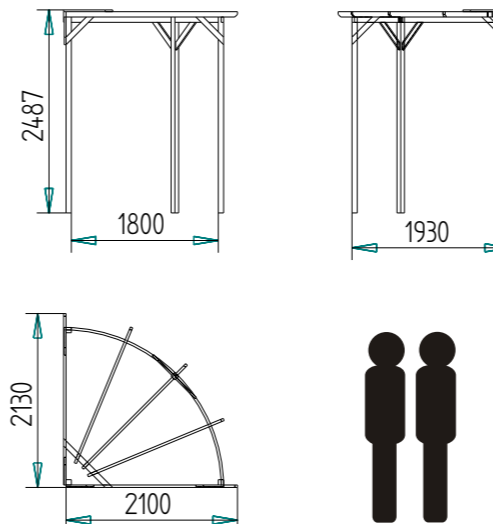
General Enquiries: 0870 191 9830  
Customer Services: 0870 191 9801  
E-mail: [info@forestgarden.co.uk](mailto:info@forestgarden.co.uk)

[www.forestgarden.co.uk](http://www.forestgarden.co.uk)

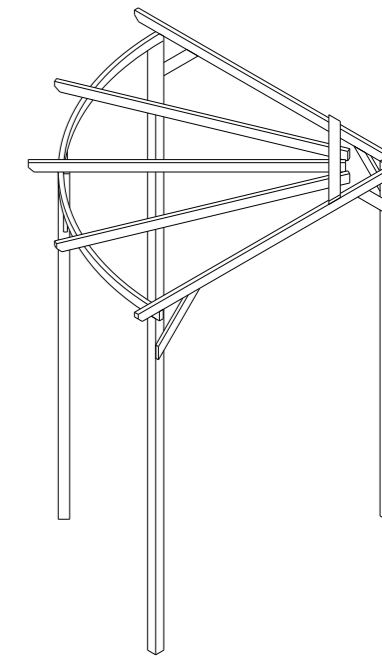
# Forest Garden plc

## CORNER RADIAL PERGOLA KIT

0708

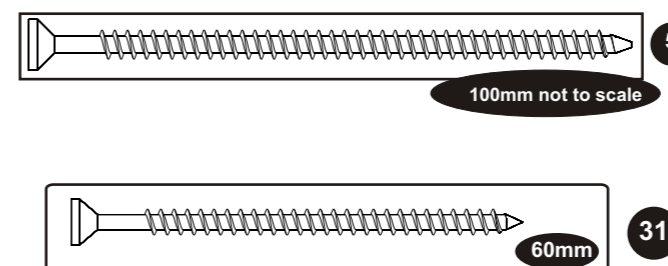
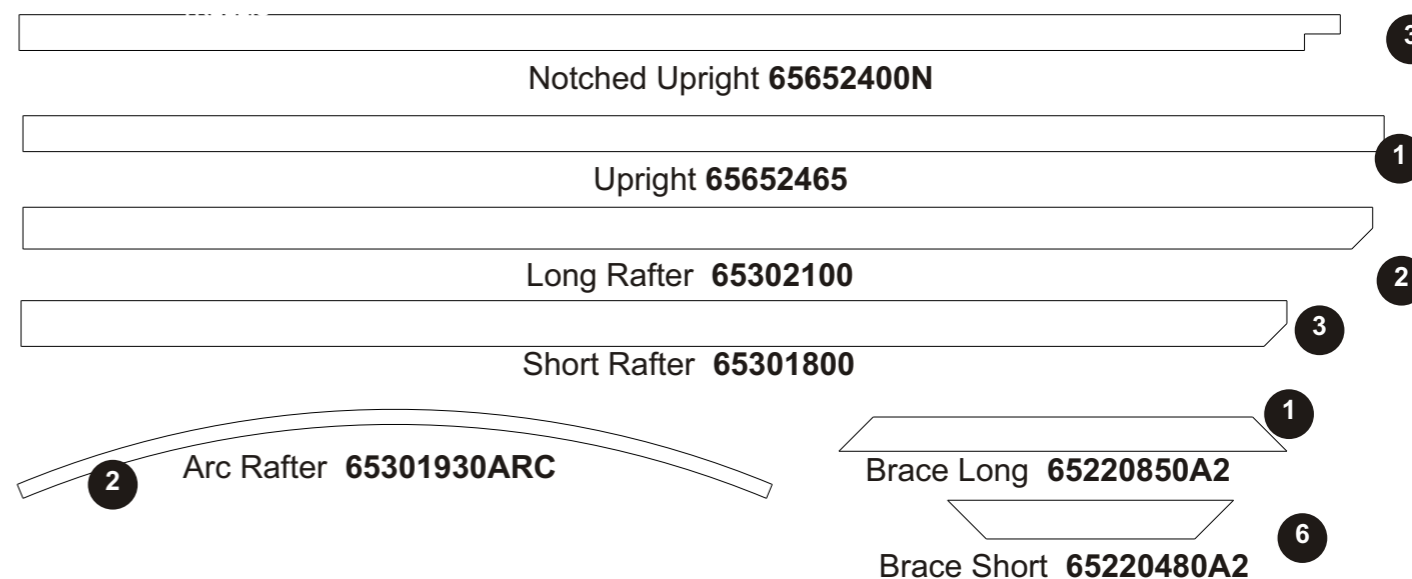


Important : Assembly of this summerhouse requires two people.



Thank you for choosing this Pergola manufactured by the UK's largest manufacturer of timber garden products. In order to gain the most benefit from it, please note the following:

- Exercise particular care and follow instructions.
- This walkway is pressure treated. For extra protection from the elements we recommend that you treat your structure using a wood preservative treatment. Apply in accordance with the manufacturers instructions.
- Please ensure that you thoroughly check all component parts for quantity and quality before you commence building the product. If there are any missing parts, please contact the help line as shown immediately. The manufacturer cannot be held liable for damaged items once any part of the product has been fitted or altered in any way (e.g. Painted)
- Timber is a natural material. It will shrink and swell as a result of varying moisture content.
- Please keep all plastic bags and small parts away from children in order to reduce the risk of suffocation.
- Important Note : Do not lean or stand on rafters during assembly they are not load bearing.
- If there are any technical queries with the product, please contact our customer help line on 0844 248 9853 between the hours of 8.30 am and 5.00 pm Monday to Friday.



### REQUIRED TOOLS : (NOT SUPPLIED)

