

Patio Extension Deck Kit Assembly Instructions

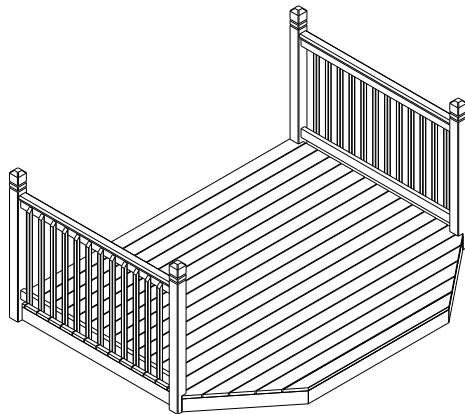
larchlap

HARTLEBURY TRADING ESTATE
HARTLEBURY, WORCS DY10 4JB

Issue 0309

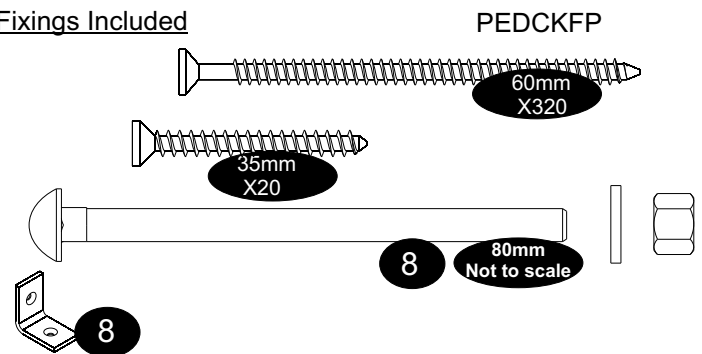
Thank you for choosing this deck kit from Larch Lap, the U.K.'s largest manufacturer of timber garden products. In order to gain the most benefit from it, please note the following :

- 1) Please take time to read the assembly instructions carefully before erecting the deck, and check all parts prior to assembly. Neither refunds nor replacements can be offered if the structure is incorrectly assembled.
 - 2) Whilst we will replace any damaged or defective parts free of charge, we cannot accept any parts that have been modified from their original condition, eg. drilled, sawn or painted.
 - 3) All holes should be pre-drilled in order to prevent wood from splitting.
 - 4) Please take care to keep all plastic bags and small parts away from children to minimise the risk of suffocation.
- Most buildings are pre-treated with a factory base coat for protection during storage and transit. We recommend that you treat your new building as soon as possible after assembly, using a wood preservative treatment. Apply in accordance with the manufacturers instructions.



Important : Assembly of this deck requires two people.
Assembly should take approximately 1/2 a day.

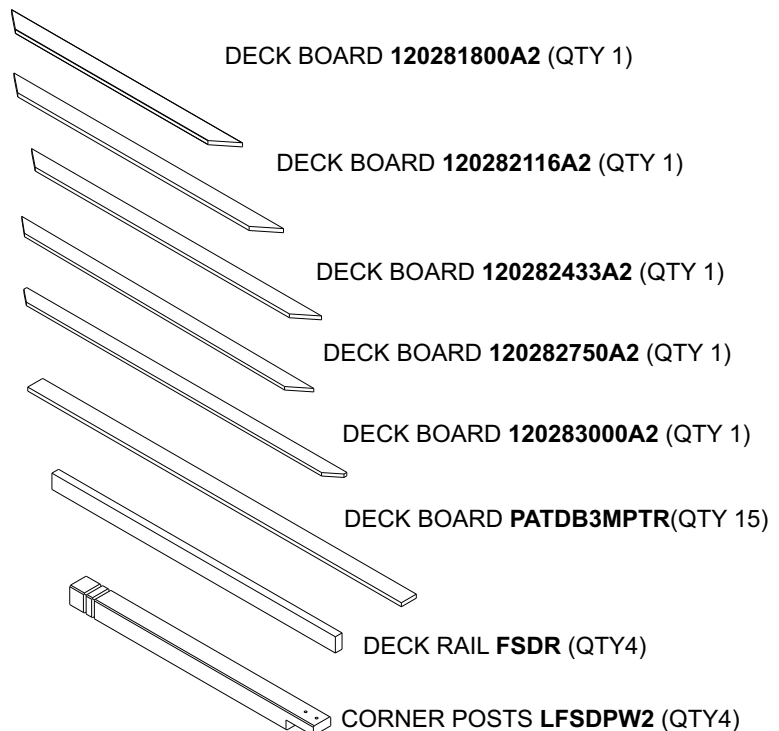
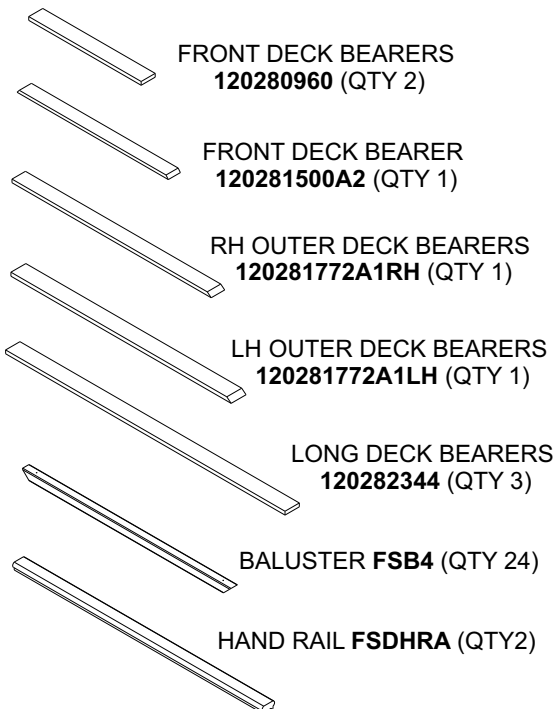
Fixings Included



Required Tools : (Not Supplied)



Components Included



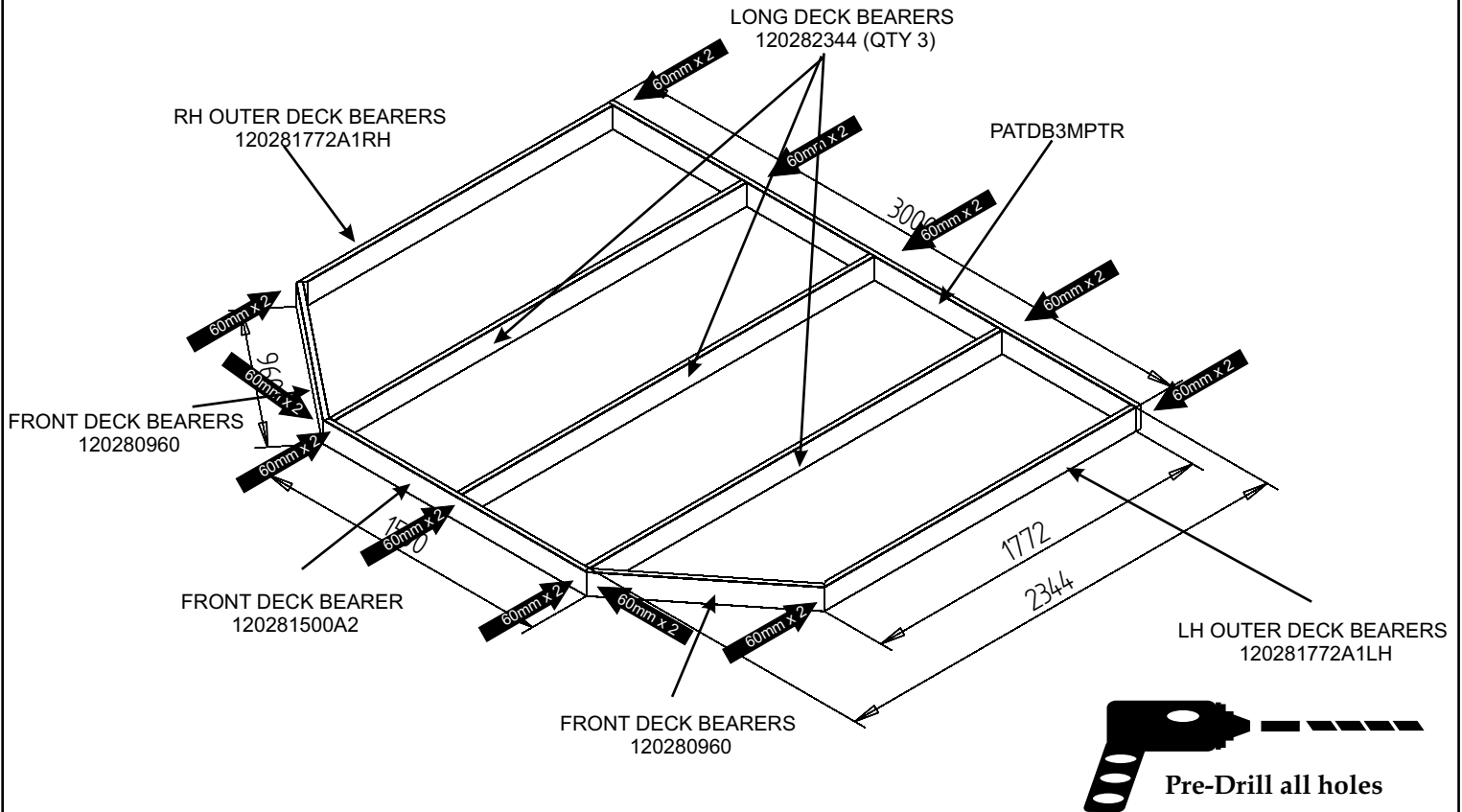
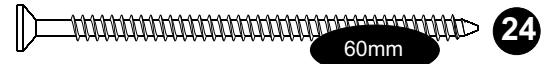
Please use this part reference number when ordering replacement parts.

Please note that deck bearers have the same profile as the deck boards. The length of each component is represented by the last 4 digits of the part reference number

Should you require any additional guidance with the assembly of your deck please contact our technical help line on 0844 248 9853 between the hours of 8:30am and 5:00pm Monday-Friday.

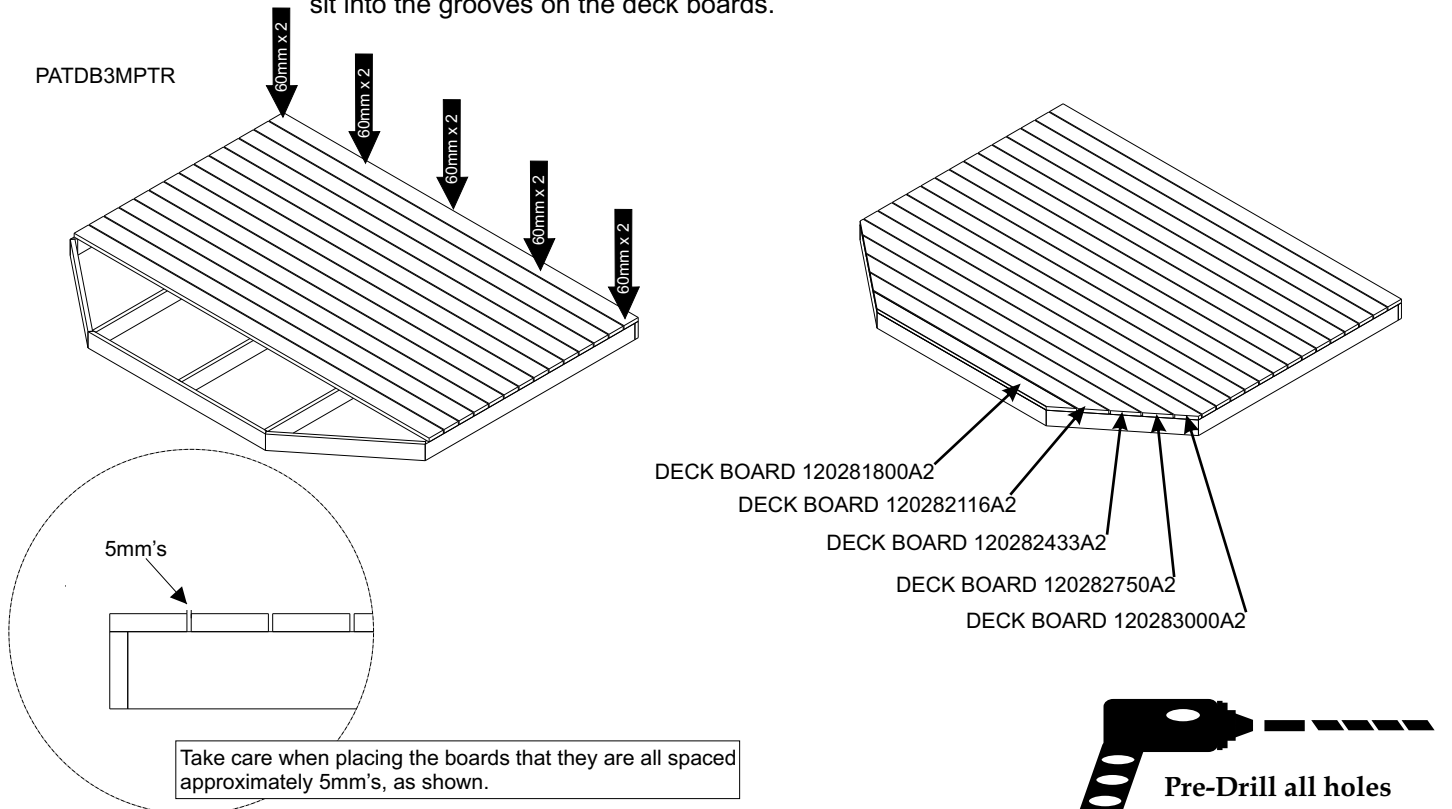
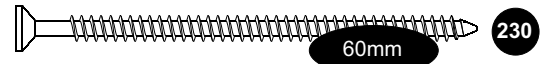
Step 1

Position the deck bearers as shown. Making sure that the LH and RH outer bearers have the grooves on the inside of the frame work. Secure using 2x60mm screws at every join.



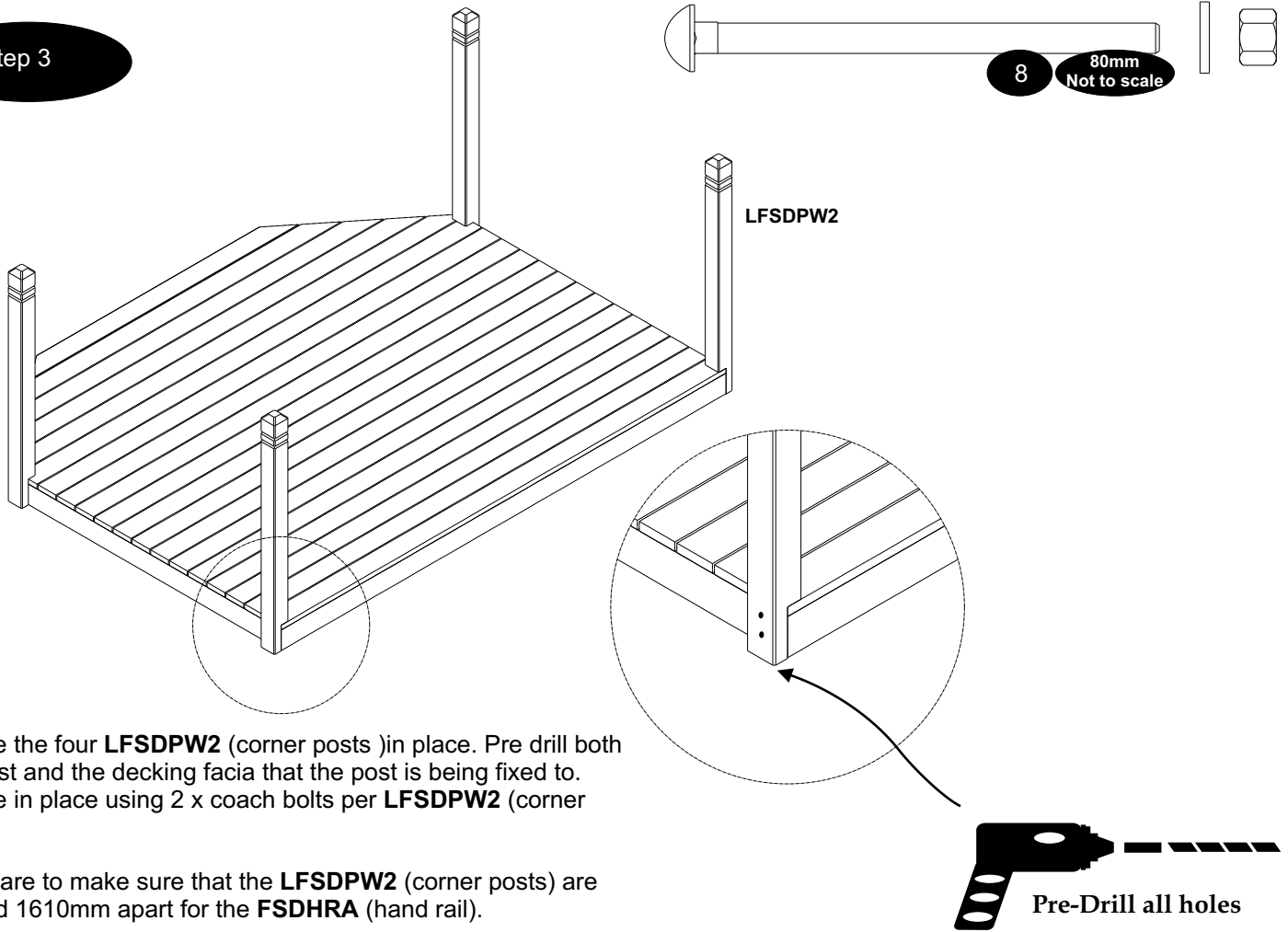
Step 2

Position each board evenly across the frame. Secure each board using 2x60mm screws into each bearer. Make sure that the screw heads sit into the grooves on the deck boards.



Should you require any additional guidance with the assembly of your deck please contact our technical help line on 0844 248 9853 between the hours of 8:30am and 5:00pm Monday-Friday.

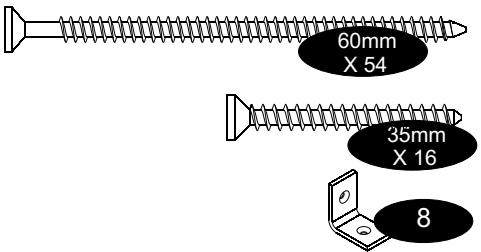
Step 3



Step 4

Fix the **FSDHRA** (hand rail) to the top **FSDR** (deck rail) with 3x 60mm screws at regular intervals. (C)

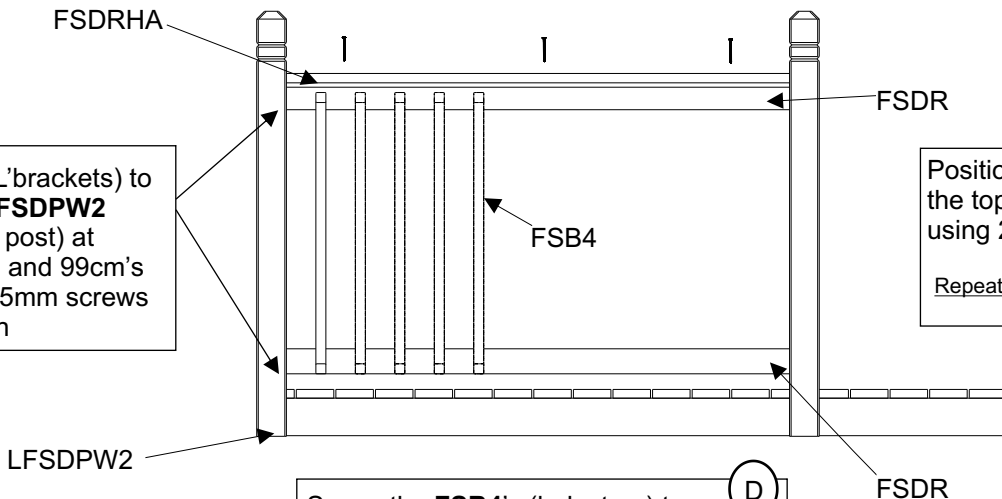
(A) Fix 2x(L'brackets) to each **LFSDPW2** (corner post) at 18.5cm and 99cm's using 35mm screws for each



(B) Position a **FSDR** (deck rail) onto the top 2x(L'brackets) and secure using 2 x 35mm screws

Repeat the procedure for the bottom **FSDR** (deck rail)

(D) Space the **FSB4**'s (balusters) to preference, but no more than 100mm apart for safety reasons. Secure in place with 2 x 60mm screw per **FSB4** (baluster) screwing through the **FSB4** into the **FSDR** (deck rail)



Should you require any additional guidance with the assembly of your deck please contact our technical help line on 0844 248 9853 between the hours of 8:30am and 5:00pm Monday-Friday.