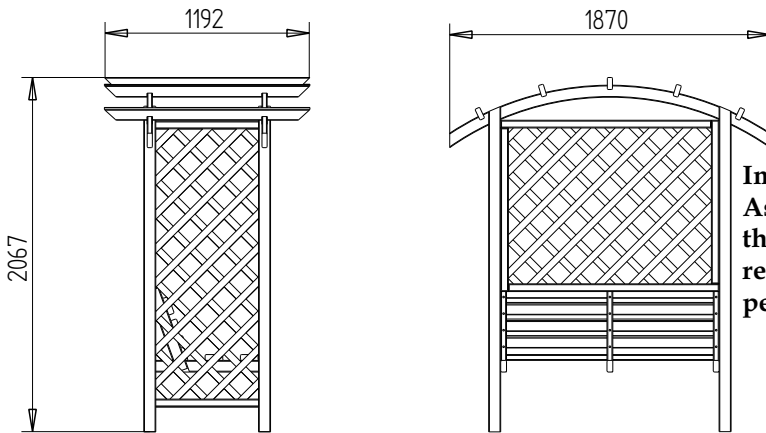
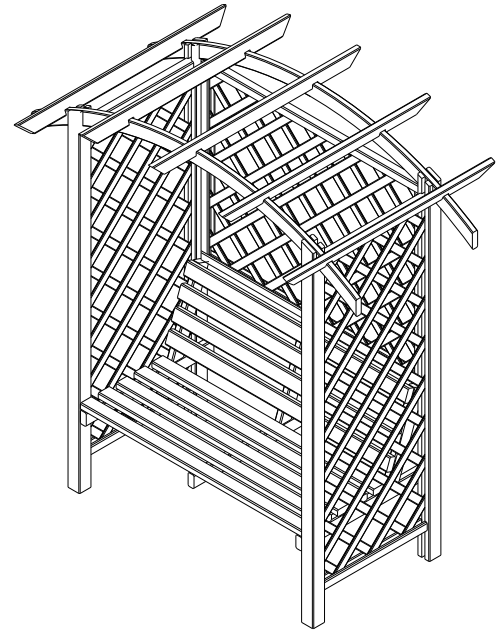


1108



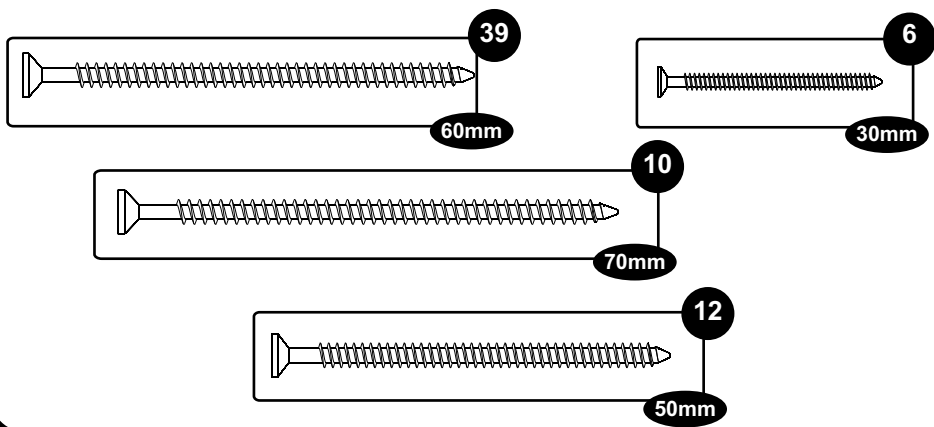
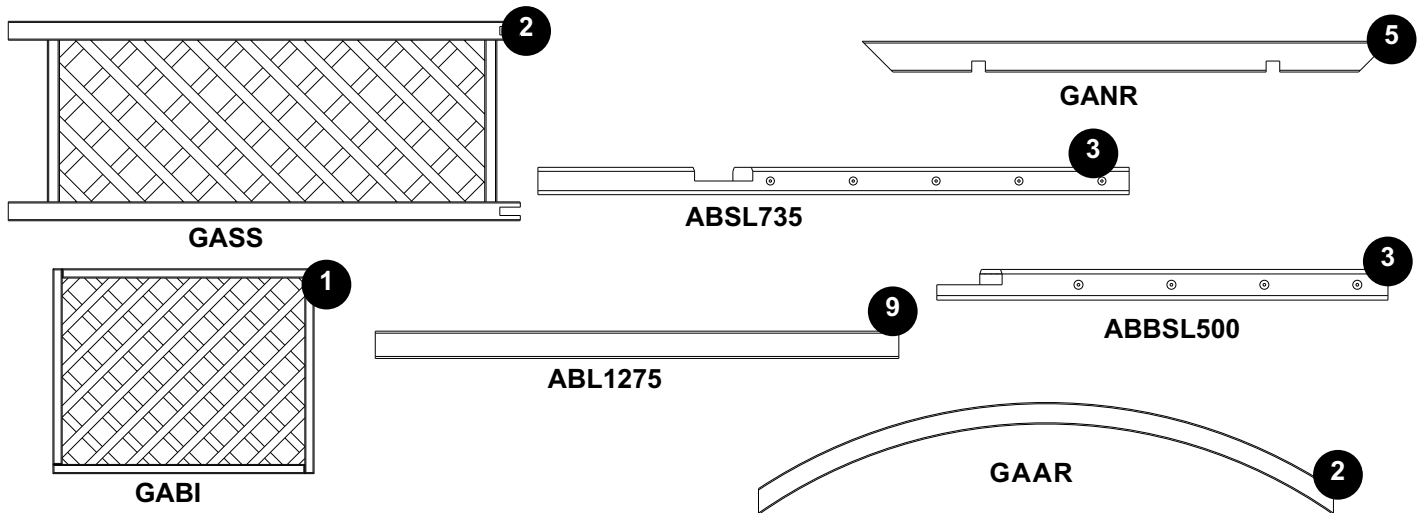
Important :
Assembly of
this Arbour
requires two
people.



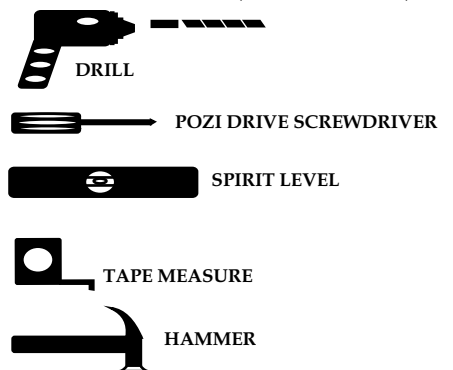
JE

Thank you for choosing this Arbour manufactured by the UK's largest manufacturer of timber garden products. In order to gain the most benefit from it, please note the following:

- Exercise particular care and follow instructions.
- This Arbour is pressure treated. For extra protection from the elements we recommend that you treat your structure using a wood preservative treatment. Apply in accordance with the manufacturers instructions.
- Please ensure that you thoroughly check all component parts for quantity and quality before you commence building the product. If there are any missing parts, please contact the help line as shown immediately. The manufacturer cannot be held liable for damaged items once any part of the product has been fitted or altered in any way (e.g. Painted)
- Timber is a natural material. It will shrink and swell as a result of varying moisture content.
- Please keep all plastic bags and small parts away from children in order to reduce the risk of suffocation.
- **Important Note : Do not lean or stand on rafters during assembly they are not load bearing.**
- If there are any technical queries with the product, please contact our customer help line on 0844 248 9853 between the hours of 8.30 am and 5.00 pm Monday to Friday.



REQUIRED TOOLS : (NOT SUPPLIED)

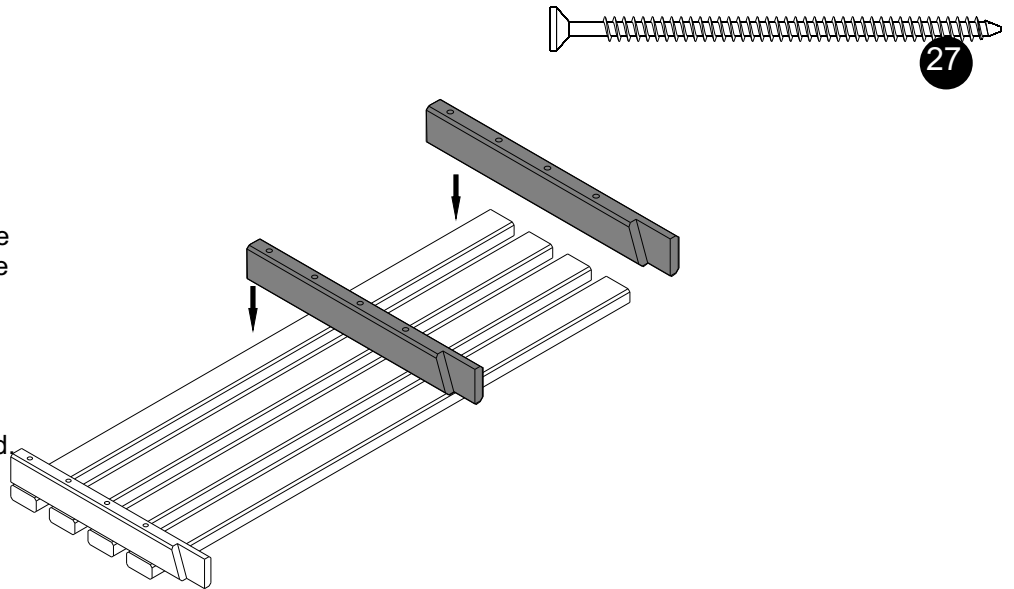


1

Position the **ABL1275**'s so that they line up with the pre-drilled holes in the **ABBSL500**'s. Take care to make sure that these are flush on all sides.

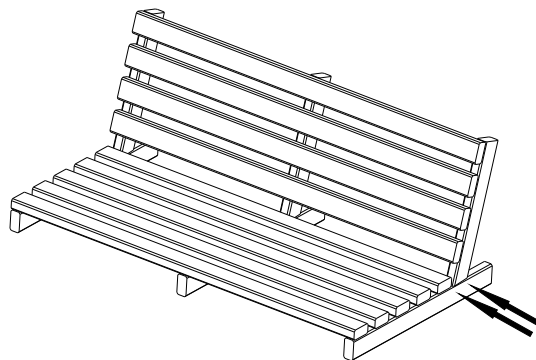
Secure the **ABBSL500** to the **ABL1275**, screwing through the **ABBSL500** using 2x60mms screws, per **ABSL1275**, in the holes provided.

Repeat the step with the **ABSL735**.

**2**

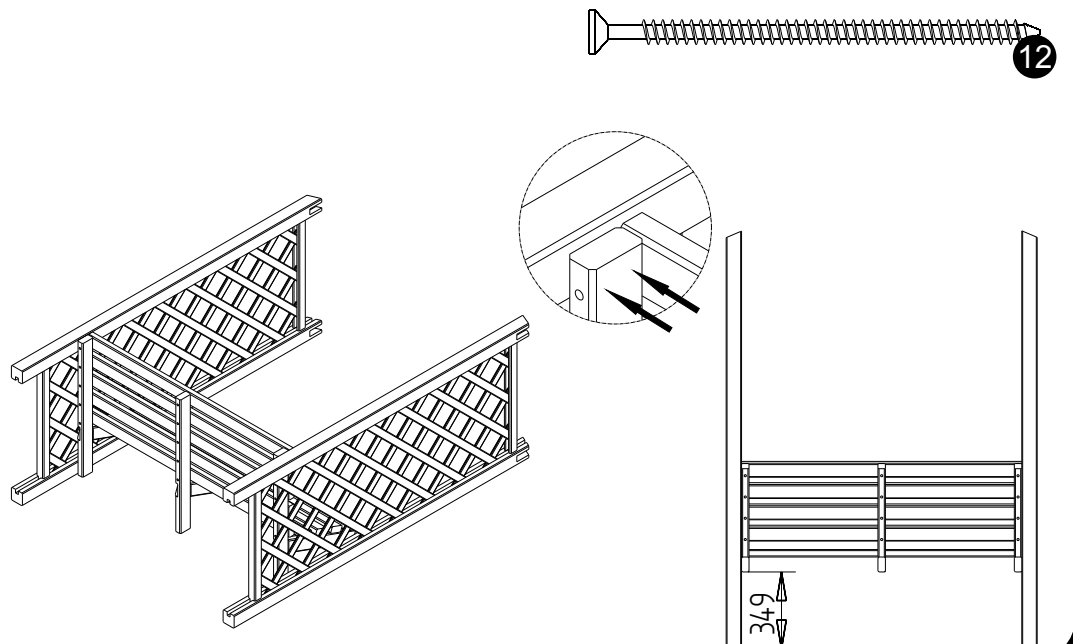
Fix the two completed seat assemblies together using the notches on the **ABBSL500** and the **ABSL735**.

Secure them together by using 2x30mm screws at each end where the assemblies join.

**3**

Lie the **GASS** down and position the completed seat assembly, that you have previously constructed, 349mm from the base of the **GASS**.

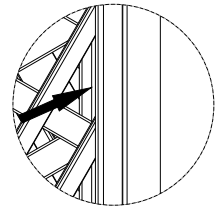
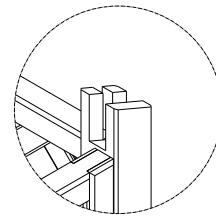
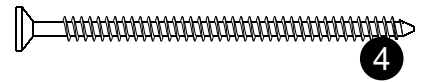
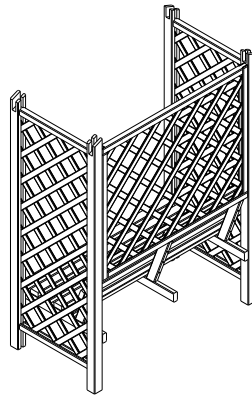
Again, making sure that all sides are flush fix in place by screwing through the **ABSL735** and the **ABBSL500** into the **GASS** using 60mm screws as shown.



4

Stand the product up right and place the **GABI** so that it fits squarely between the two **GASS** sections and is in line with the top.

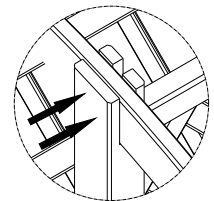
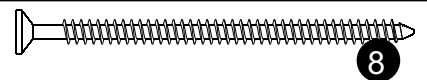
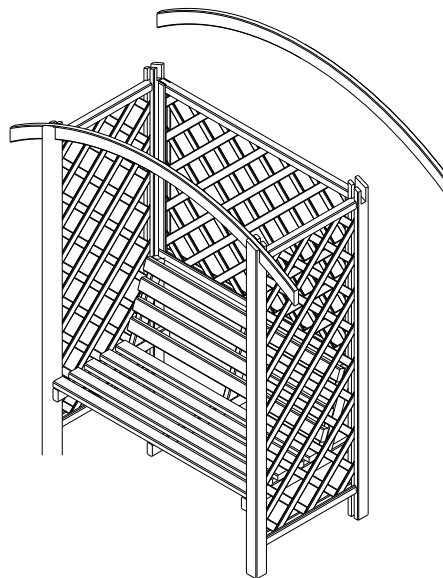
Secure into position by screwing through the **GABI** into the **GASS** using 2x50mm screws per post.



5

Place the **GAAR** so that they are sat in the notches of the **GASS** posts and have an equal overhang on either side.

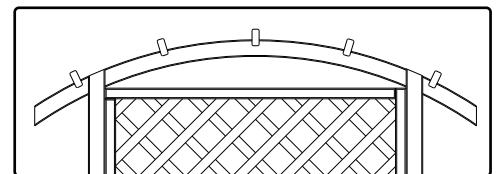
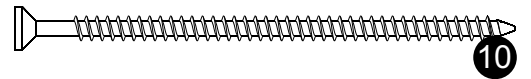
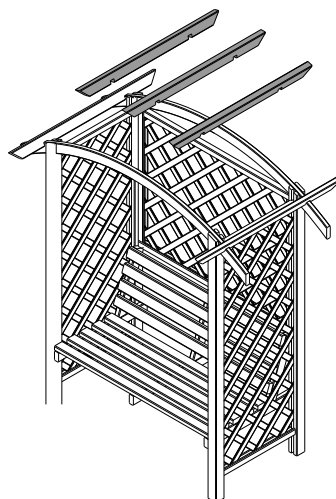
Secure in place using 2x50mm screws per post.



6

Place the **GANR**'s onto the structure so that the notches fit securely onto the **GAAR**'s as shown.

Position equally and secure by screwing through the **GANR** into the **GAAR** using 2x70mm screws per **GAAR**.



Forest Garden plc.
Units 291 & 296 Hartlebury Trading Estate
Hartlebury
Worcestershire
Dy10 4JB

Customer Services: 0844 248 9853
E-mail: info@forestgarden.co.uk

www.forestgarden.co.uk