

ULTIMA ARCH ASSEMBLY

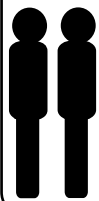
ISSUE 0309

SHOULD YOU REQUIRE ANY ADDITIONAL GUIDANCE WITH THE ASSEMBLY OF YOUR ARBOUR PLEASE CONTACT OUR TECHNICAL HELP LINE ON 0844 248 9853.

“IMPORTANT, RETAIN FOR FUTURE REFERENCE: READ CAREFULLY”

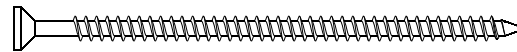
Thank you for choosing this arch manufactured by the UK's largest manufacturer of timber garden products. In order to gain the most benefit from it, please note the following:

- If there are any technical queries with the product, please contact our customer help line on 0844 248 9853 between the hours of 8.30 am and 5.00 pm Monday to Friday.
- This product is pressure treated to ensure the longevity of all timber components and protect against rot. This may leave a colour difference on some parts that will even out as the moisture content stabilises.
- Please ensure that you thoroughly check all component parts for quantity and quality before you commence building the product. If there are any missing parts, please contact the help line as shown immediately. The manufacturer cannot be held liable for damaged items once any part of the product has been fitted or altered in any way (e.g. Painted)
- Timber is a natural material. It will shrink and swell as a result of varying moisture content.
- Please keep all plastic bags and small parts away from children in order to reduce the risk of suffocation.

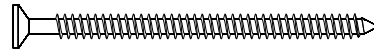


Important :
Assembly
of this arch
requires
two people.

Fixing Pack Contents (UPARTFP) :

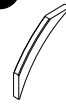


70mm Screw x 10



50mm Screw x 20

4



UCBC
ANGLED
BRACE

Required Tools : (Not Supplied)



DRILL



POZI DRIVE SCREWDRIVER



HAMMER

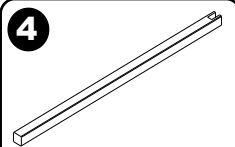


TAPE MEASURE



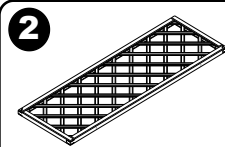
SPIRIT LEVEL

4



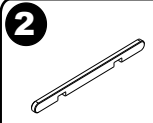
UPARTSU
POST 2300mm

2



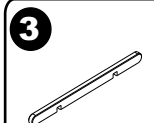
ELD62
PLANED LATTICE 6x2ft

2



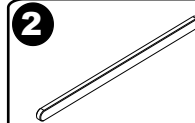
UPARTNRLN
LARGE NOTCHED
RAFTER

3

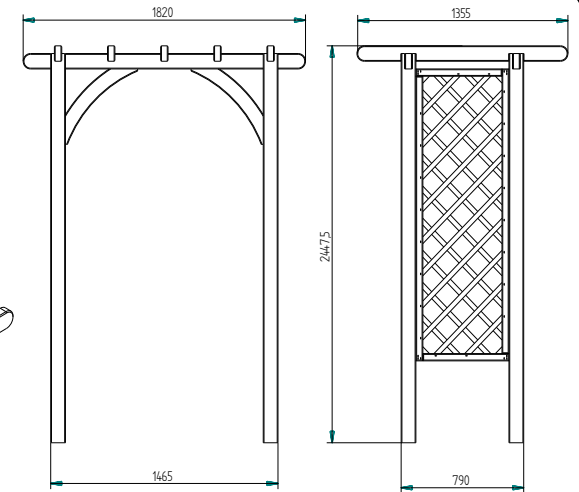
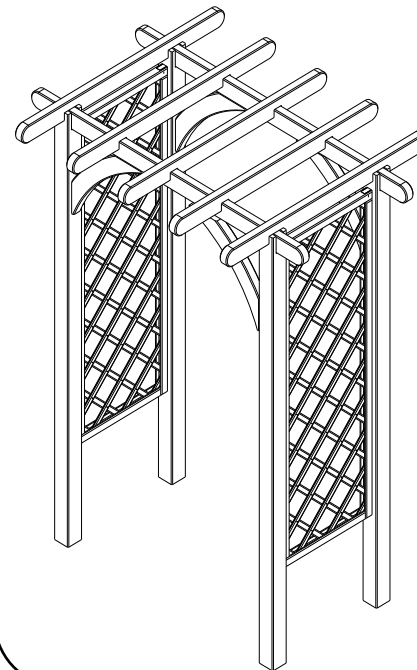


UPARTNRSN
SMALL NOTCHED
RAFTER

2




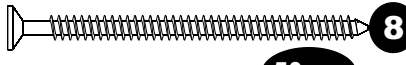
URCB6
LONG RAFTER

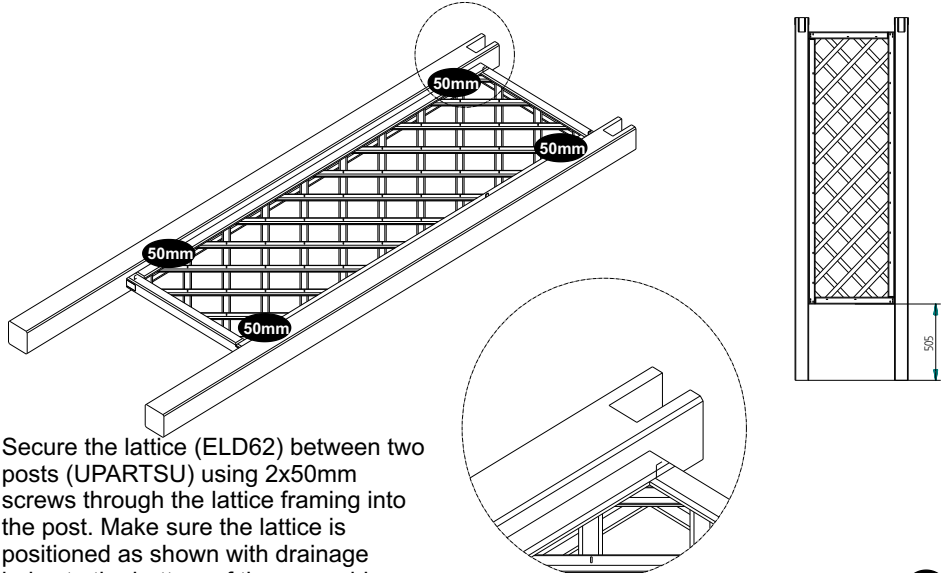


Helpful Tip : use the illustration of the screw/nail shown in each step to help you identify which fixing is required during the assembly of your arch.

Please note : arbour uprights will need to be concreted 465mm into ground. Alternatively, if using post supports, you will be required to trim 465mm off the bottom of each post.


1  **MUST PRE DRILL**

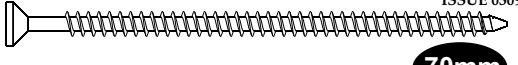
8  **50mm**

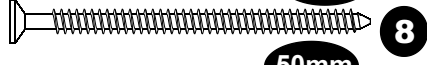


Secure the lattice (ELD62) between two posts (UPARTSU) using 2x50mm screws through the lattice framing into the post. Make sure the lattice is positioned as shown with drainage holes to the bottom of the assembly. Repeat on both sides and construct 2.

x2

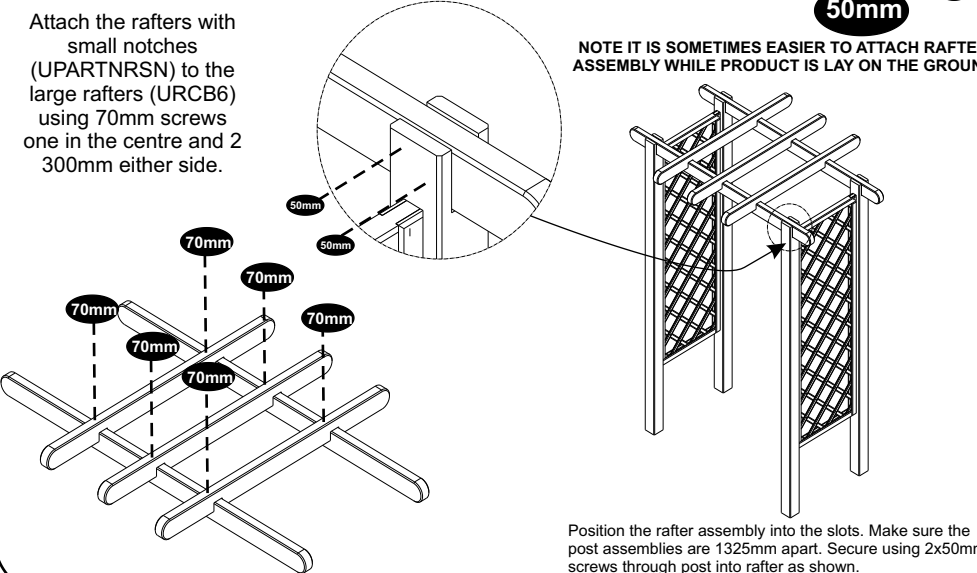
2  **MUST PRE DRILL**

6  **70mm**


8  **50mm**

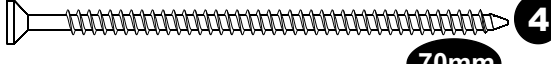
Attach the rafters with small notches (UPARTNRSN) to the large rafters (URCB6) using 70mm screws one in the centre and 2 300mm either side.

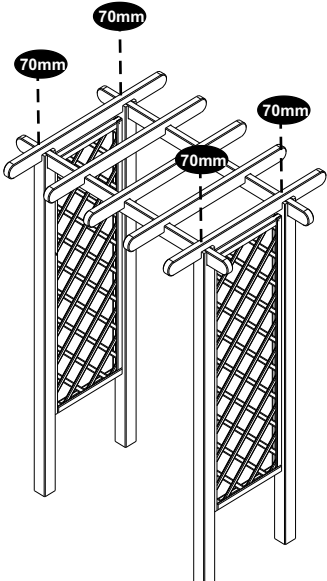
NOTE IT IS SOMETIMES EASIER TO ATTACH RAFTER ASSEMBLY WHILE PRODUCT IS LAY ON THE GROUND




Position the rafter assembly into the slots. Make sure the post assemblies are 1325mm apart. Secure using 2x50mm screws through post into rafter as shown.


3  **MUST PRE DRILL**

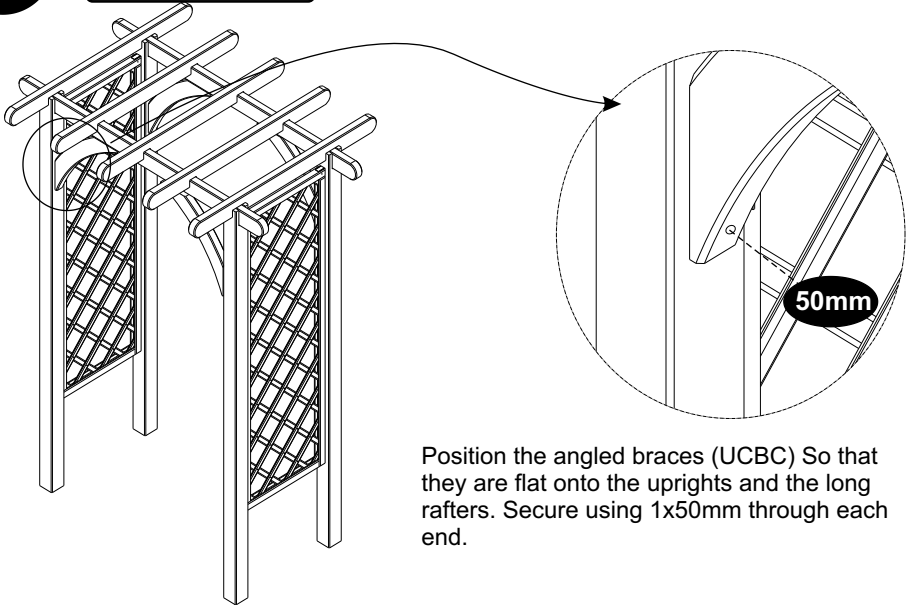
4  **70mm**



Position the large slotted rafters (UPARTNRLN) in the centre of the posts onto the large rafter and secure using 70mm screws.

4  **MUST PRE DRILL**

8  **50mm**



Position the angled braces (UCBC) so that they are flat onto the uprights and the long rafters. Secure using 1x50mm through each end.