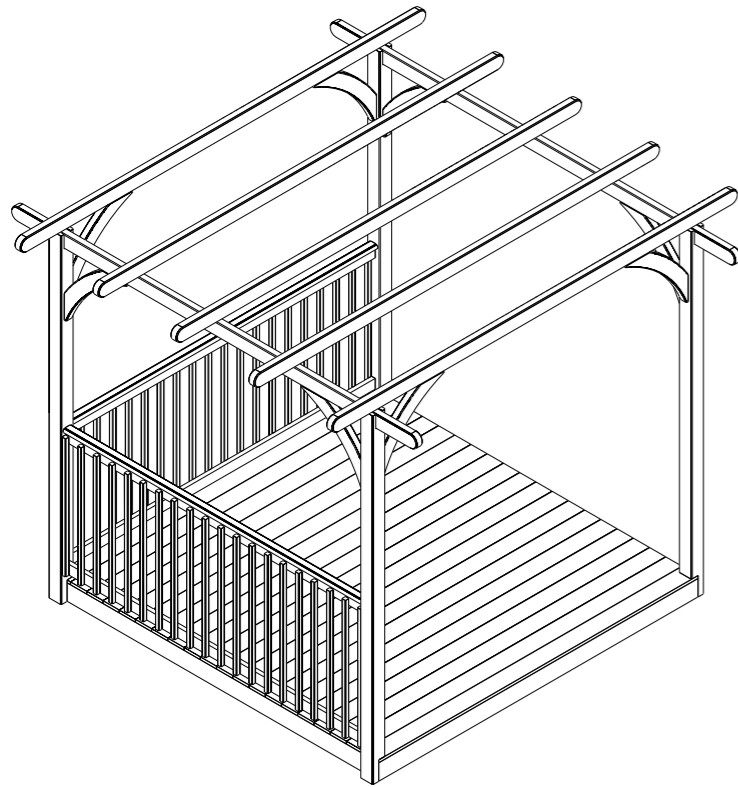
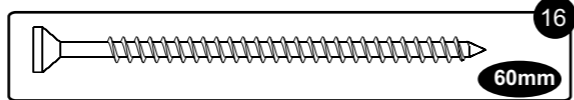
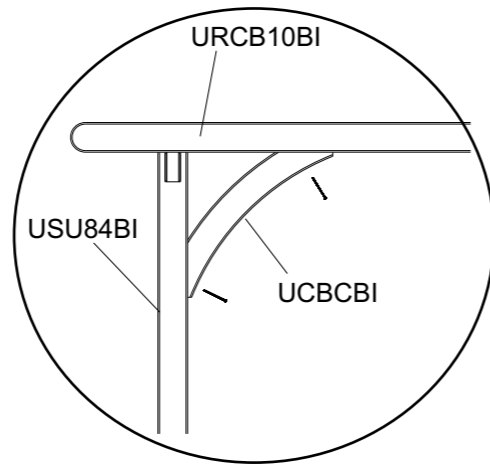


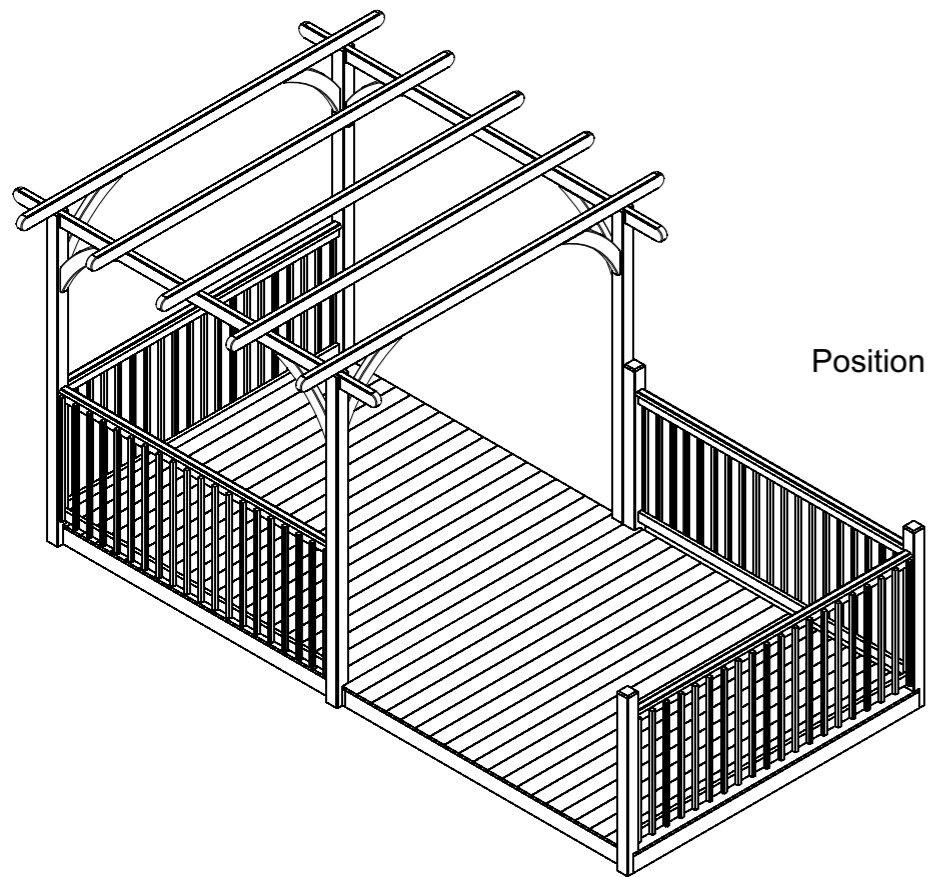
9



Secure the **UCBCBI** (braces) in place to the **USU84BI** (post) and the **URCB10BI** (rafter) through the pre-drilled holes using 2x60mm screws for each brace



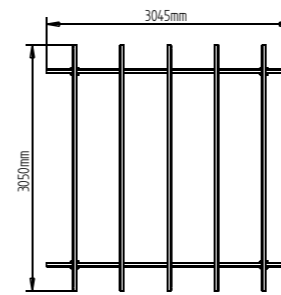
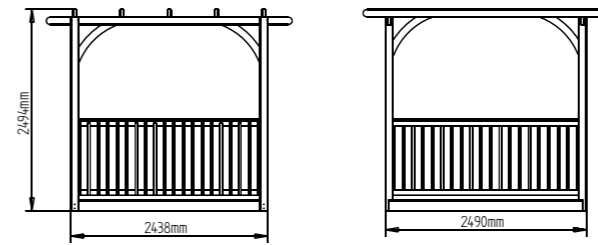
UPDCK168V3



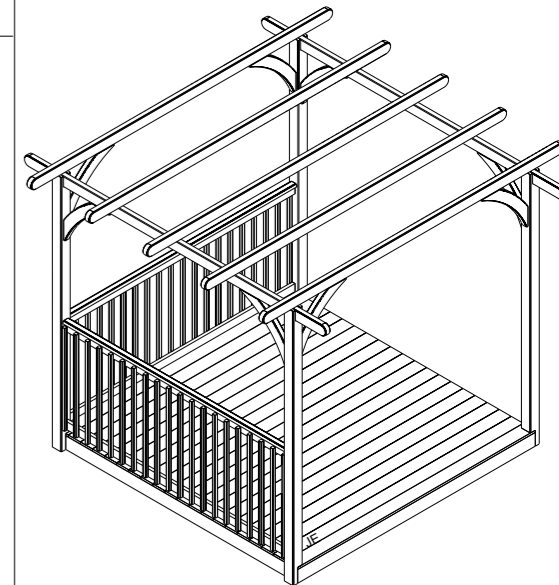
Position the **PAT88V3** against the **UPDCK88V3**.

ULTIMA DECK KIT UPDCK88V3

0111

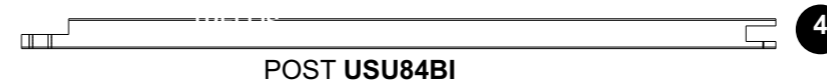


Important : Assembly of this Deck requires two people.



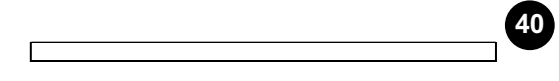
Thank you for choosing this Deck manufactured by the UK's largest manufacturer of timber garden products. In order to gain the most benefit from it, please note the following:

- Exercise particular care and follow instructions.
- This Deck is pressure treated to ensure longevity of all timber components and protect against rot. This may leave a colour difference on some parts that will even out as the moisture content stabilises. For extra protection from the elements we recommend that you treat your structure using a wood preservative treatment. Apply in accordance with the manufacturers instructions.
- In line with your statutory rights, please check all parts prior to assembly. As assembly of damaged parts may be deemed to be acceptance and this may affect the remedies you are entitled to. If the product is not constructed in accordance with the instructions, or is altered in anyway (eg painted) the manufacturer cannot be held liable for any resulting damage.
- Timber is a natural material. It will shrink and swell as a result of varying moisture content.
- Please keep all plastic bags and small parts away from children in order to reduce the risk of suffocation.
- Important Note : Do not lean or stand on rafters during assembly they are not load bearing.



POST **USU84BI**

4



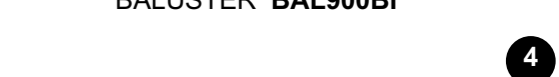
BALUSTER **BAL900BI**

40



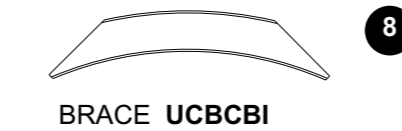
RAFTER **URCB10BI**

7



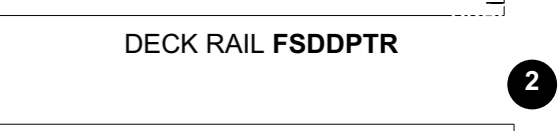
DECK RAIL **FSDDPTR**

4



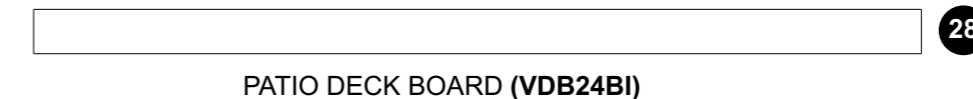
BRACE **UCBCBI**

8



HAND RAIL **FSDHRPTR**

2

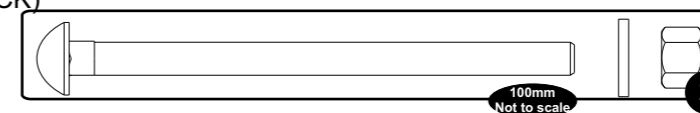


PATIO DECK BOARD (**VDB24BI**)

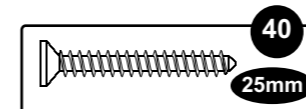
28

Hw0079 (FIXING PACK)

Please note the **Hw0079** is a supplementary fixing pack for the installation of the Pergola. The decking requires the **PAT88V3FP**

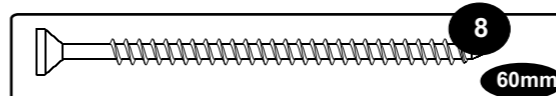


2



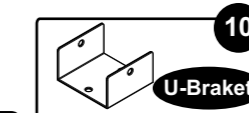
40

25mm



8

60mm



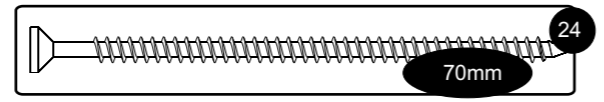
10

U-Bracket

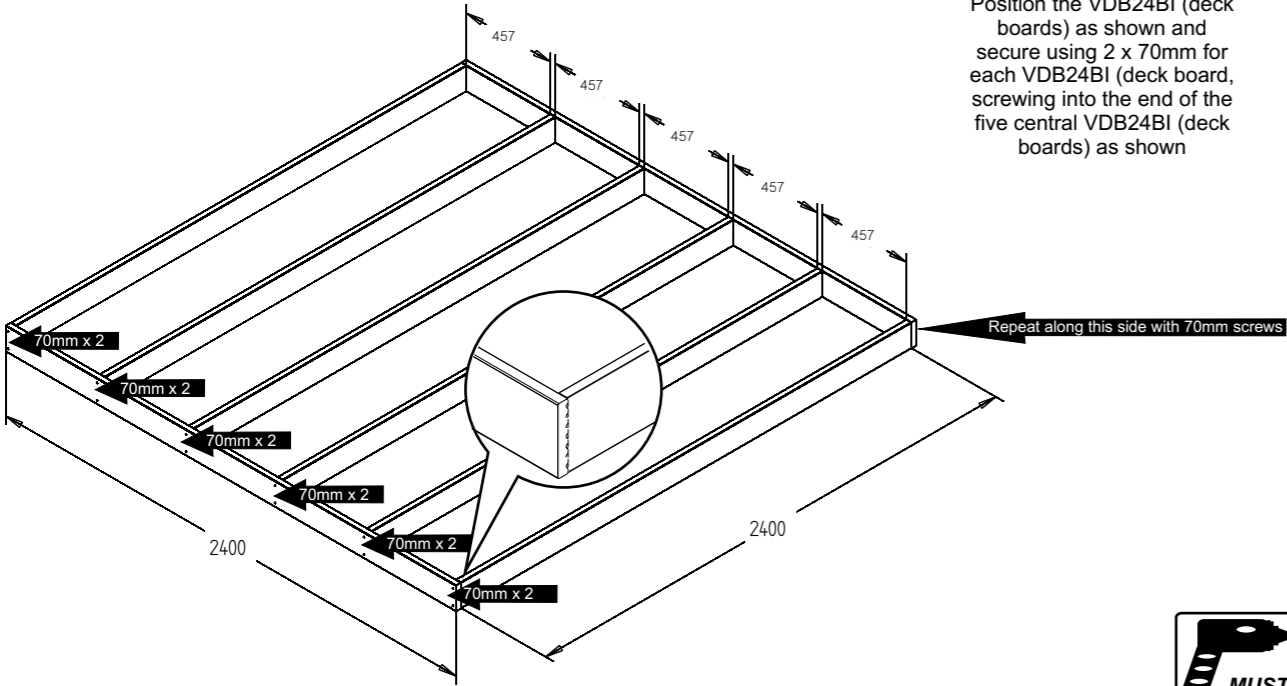
REQUIRED TOOLS : (NOT SUPPLIED)

- DRILL
- POZI DRIVE SCREWDRIVER
- SPIRIT LEVEL
- TAPE MEASURE
- HAMMER
- SAW

1

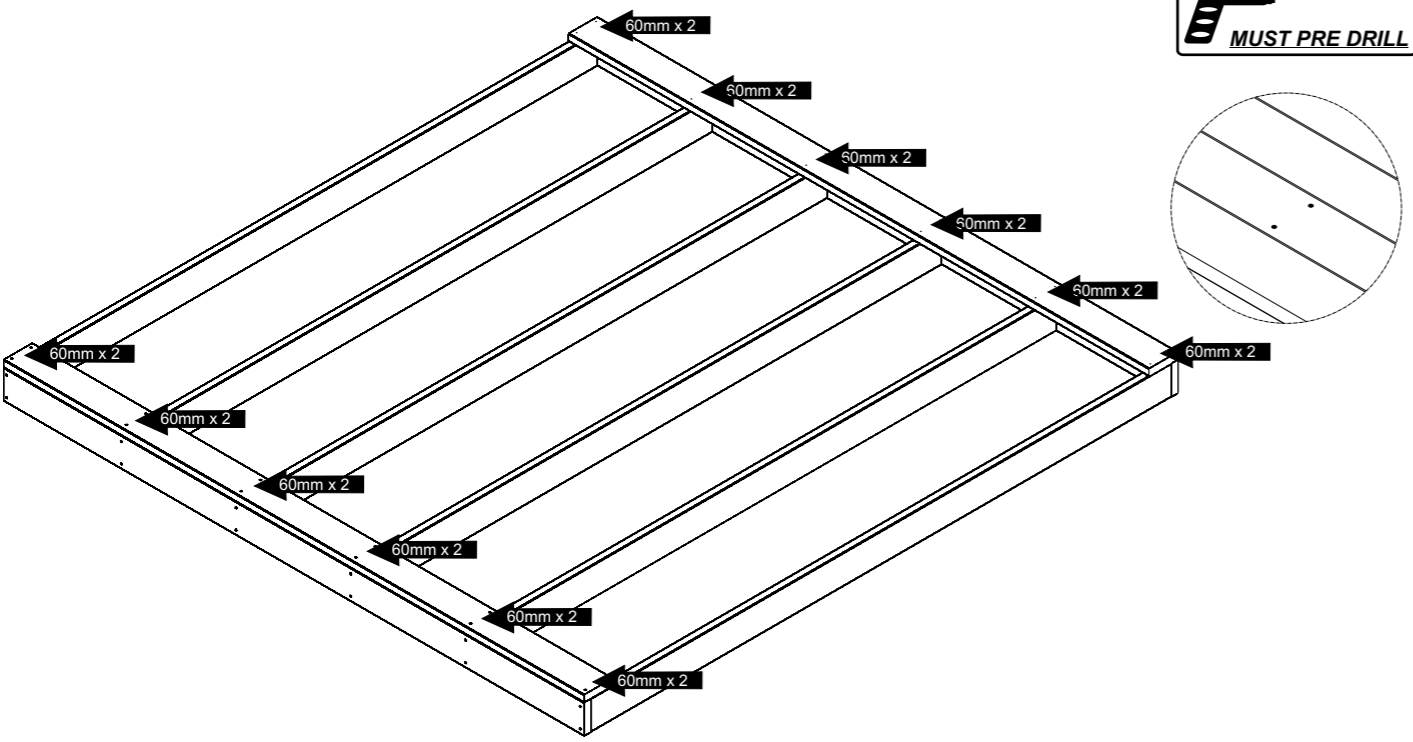
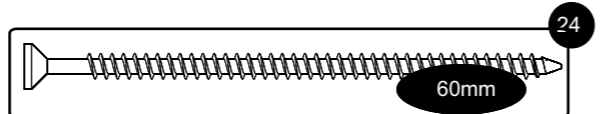


Position the VDB24BI (deck boards) as shown and secure using 2 x 70mm for each VDB24BI (deck board), screwing into the end of the five central VDB24BI (deck boards) as shown



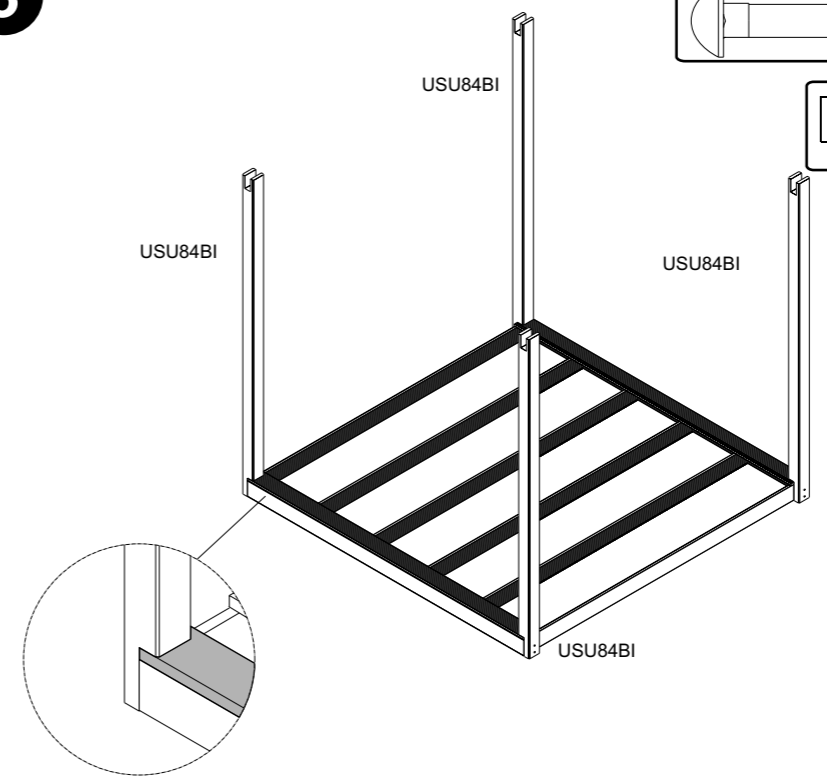
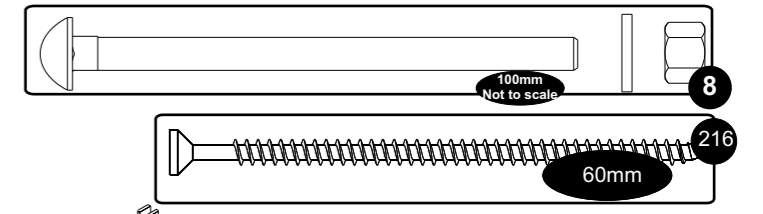
IMPORTANT : PRIOR TO PROCEEDING PLEASE MEASURE DIAGONALS. BOTH DIAGONALS MUST BE = IN ORDER TO ENSURE DECK IS SQUARE.

2



Place two VDB24BI (Deck Boards) flush with either end as shown and secure in place using 50mm screws. Use 2x50mm screws, screwing into each of the 6 x VDB24BI deck boards as shown.

3

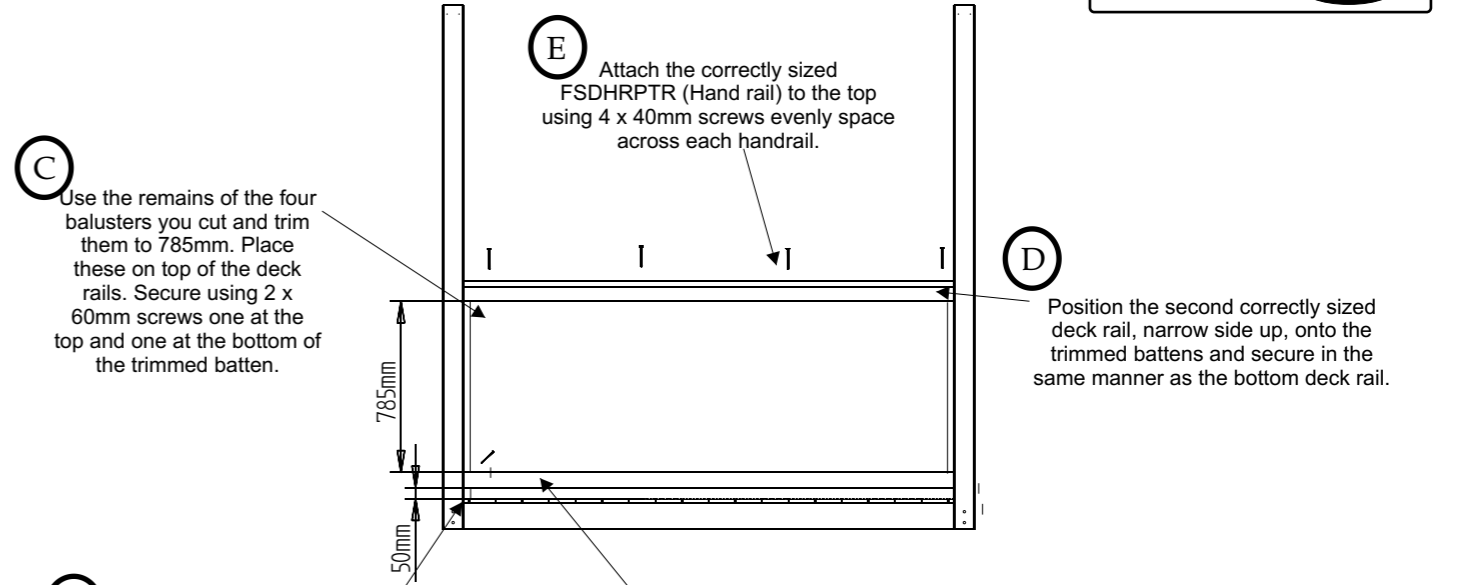
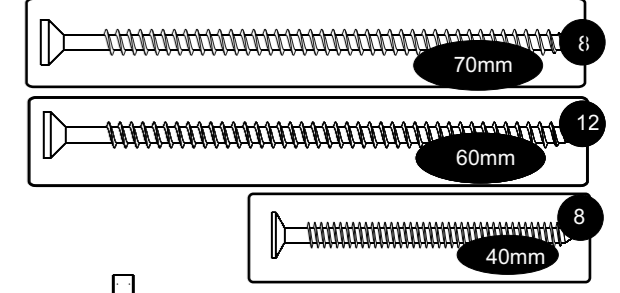


Position uprights (USU84BI) As shown on top of the boards and to the outside edge of the deck. Secure using 100mm bolts. Once the posts are secured. Fix the remaining VDB24BI (deck boards) the same way as in step 2 and all spaced evenly.



4

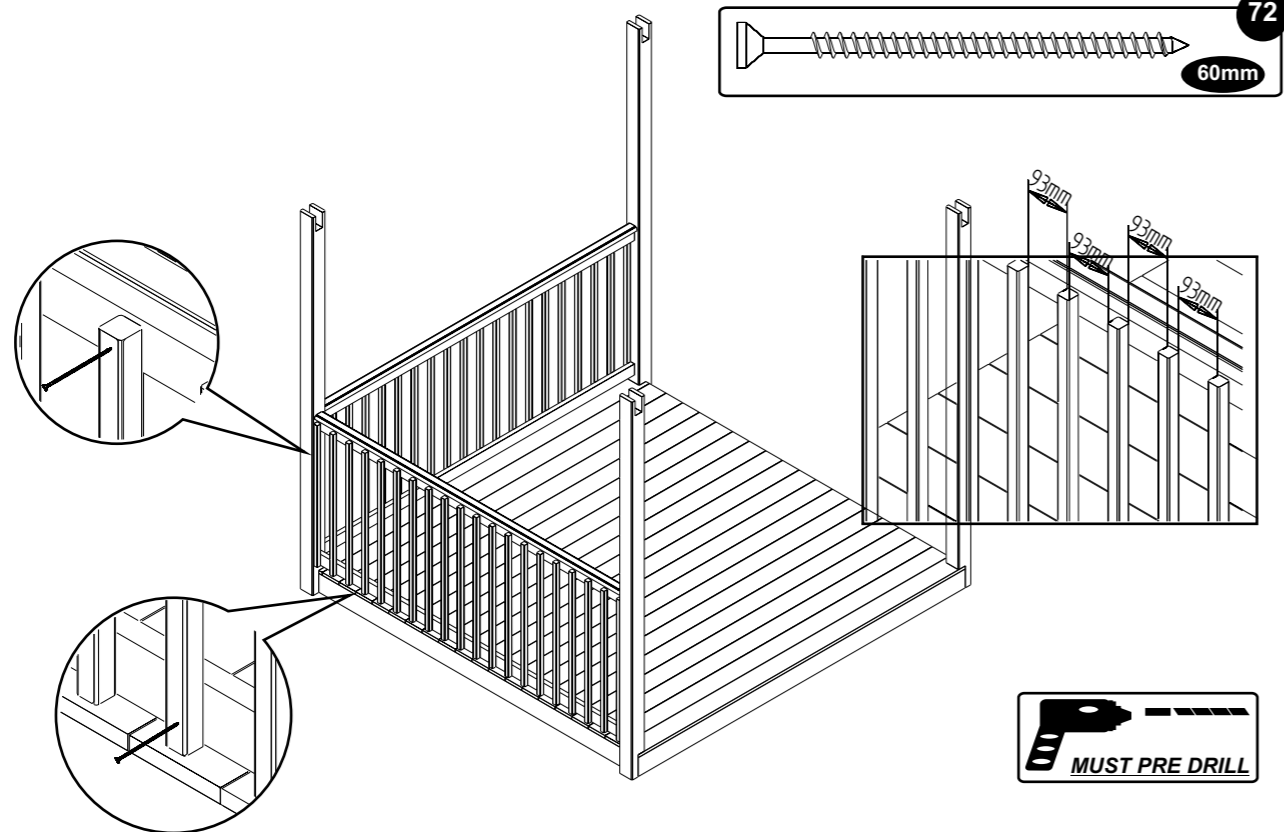
You may need to cut some components to the required length.



A Cut a 50mm block off four of the balusters (BAL900BI). Attach this block to the outer edge of the uprights on top of the decking. Secure using 1x60mm screw for each.
B Position a handrail support (FSDDPTR) On top of the blocks. You will need to cut down the deck rail and hand rail for it to fit between the uprights. Secure the deck rail either end with 1x70mm screw, screwed in diagonally.
C Use the remains of the four balusters you cut and trim them to 785mm. Place these on top of the deck rails. Secure using 2 x 60mm screws one at the top and one at the bottom of the trimmed batten.
D Position the second correctly sized deck rail, narrow side up, onto the trimmed battens and secure in the same manner as the bottom deck rail.
E Attach the correctly sized FSDHRPTR (Hand rail) to the top using 4 x 40mm screws evenly space across each handrail.

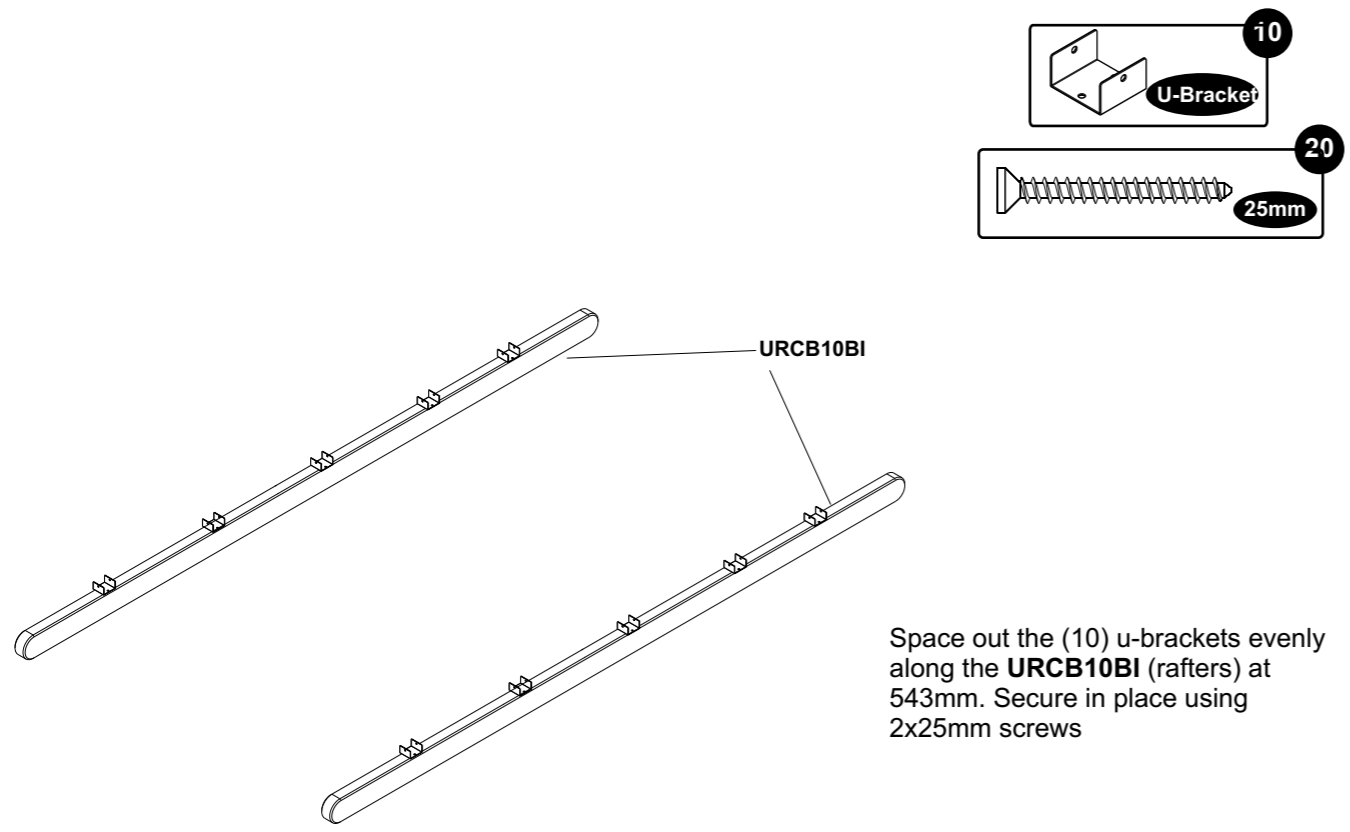


5



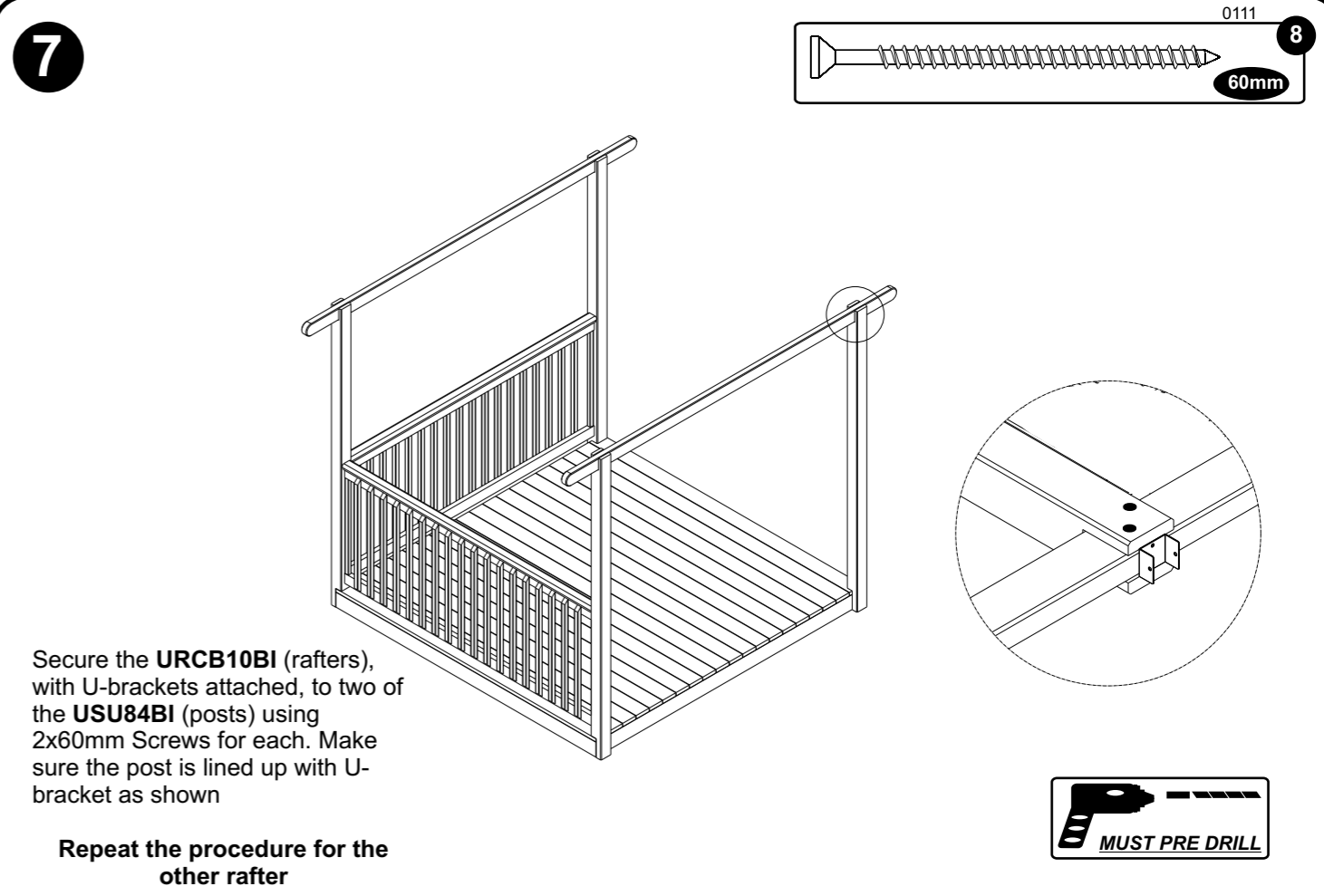
Attach the remaining Baluster's (BAL900BI) evenly across each Handrail assembly. Secure using 1x60mm screw top and bottom. Make sure the gaps are evenly spaced but the gaps are no greater than 99mm.

6



Space out the (10) u-brackets evenly along the **URCB10BI** (rafters) at 543mm. Secure in place using 2x25mm screws

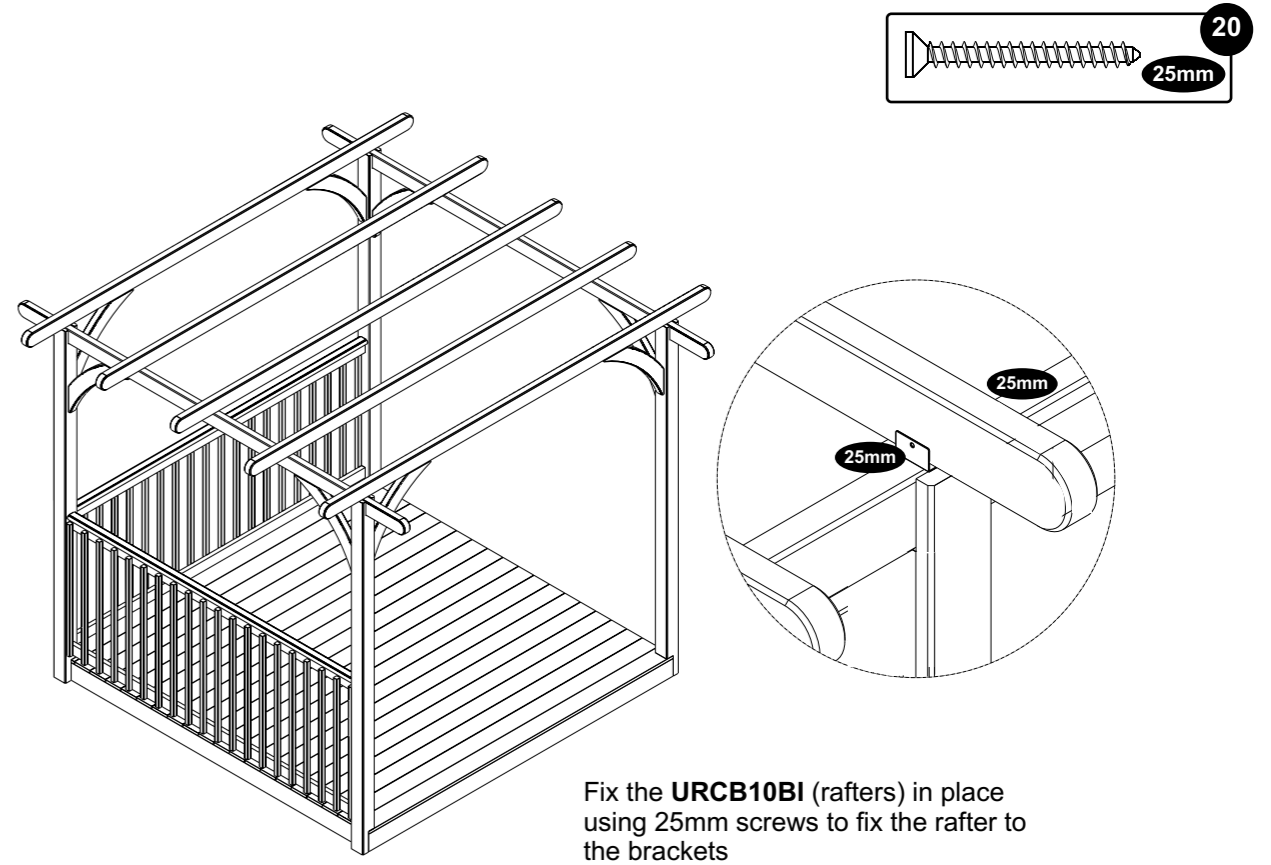
7



Secure the **URCB10BI** (rafters), with U-brackets attached, to two of the **USU84BI** (posts) using 2x60mm Screws for each. Make sure the post is lined up with U-bracket as shown

Repeat the procedure for the other rafter

8



Fix the **URCB10BI** (rafters) in place using 25mm screws to fix the rafter to the brackets